



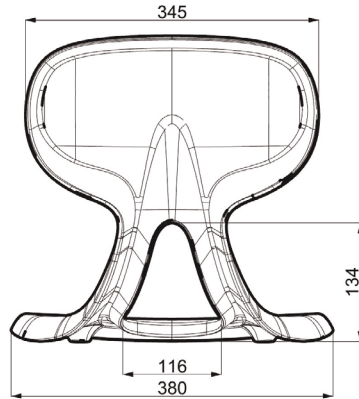
✓ Designed according UNI EN 1729-1 / UNI EN 1729-2

SIZE 4-5

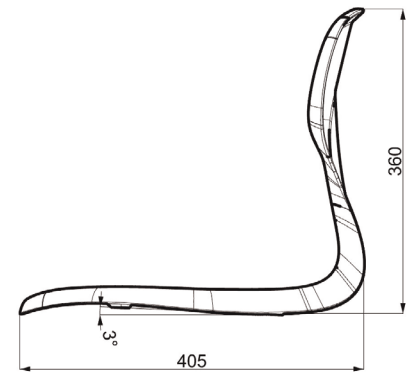


High density rigid polyurethane shell.

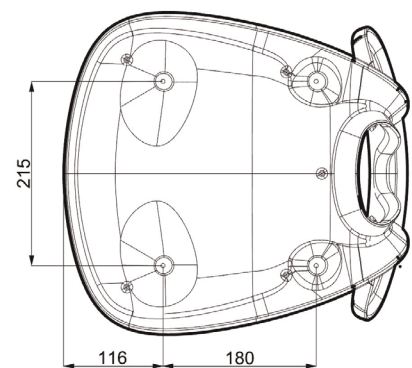
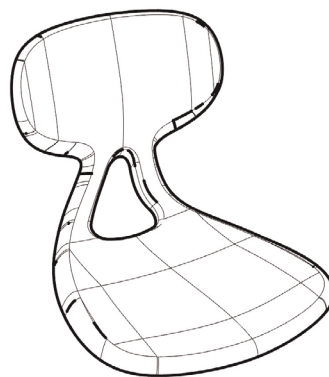
Shell unit weight: 1,47 kg



REAR VIEW



SIDE VIEW



BOTTOM VIEW

Dimensions in mm - Scale: 1:16

Colours available for batches of **15 pieces** and multiple



RAL 2002  
Cod 06486  
VERS-B



RAL 5012  
Cod 06494  
VERS-B



RAL 6018  
Cod 06493  
VERS-B



RAL 7015  
Cod 06490  
VERS-B



RAL 7021  
Cod 06491  
VERS-B

Colours available for batches of **120 pieces** and multiple



RAL 1023  
Cod. 06488  
VERS-A



RAL 2002  
Cod. 06486  
VERS-A



RAL 3004  
Cod. 06489  
VERS-A



RAL 4005  
Cod. 06492  
VERS-A



RAL 5002  
Cod. 06487  
VERS-A



RAL 5012  
Cod. 06494  
VERS-A



RAL 6018  
Cod. 06493  
VERS-A



RAL 7015  
Cod. 06490  
VERS-A



RAL 7021  
Cod. 06491  
VERS-A

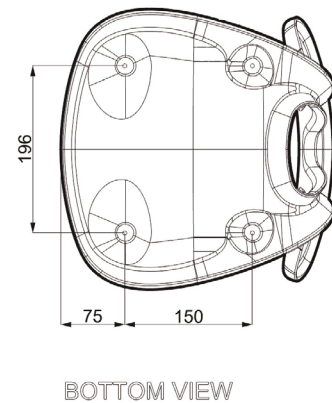
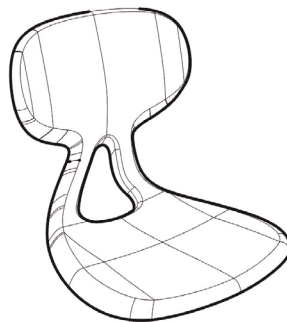
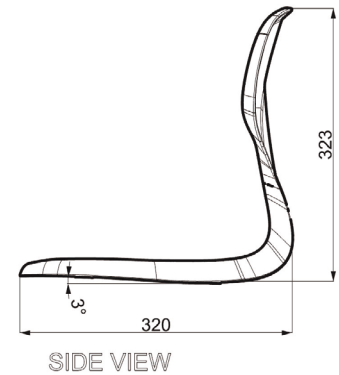
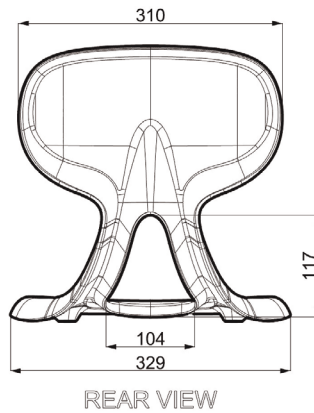
✓ Designed according UNI EN 1729-1 / UNI EN 1729-2

SIZE 2-3



High density rigid polyurethane shell.

Shell unit weight: 1,02 kg



Dimensions in mm - Scale: 1:16

Colours available for batches of **20 pieces** and multiple



RAL 2002  
Cod 06503  
VERS-B



RAL 5012  
Cod 06513  
VERS-B



RAL 6018  
Cod 06508  
VERS-B



RAL 7015  
Cod 06510  
VERS-B



RAL 7021  
Cod 06511  
VERS-B

Colours available for batches of **160 pieces** and multiple



RAL 1023  
Cod. 06509  
VERS-A



RAL 2002  
Cod. 06503  
VERS-A



RAL 3004  
Cod. 06512  
VERS-A



RAL 4005  
Cod. 06514  
VERS-A



RAL 5002  
Cod. 06507  
VERS-A



RAL 5012  
Cod. 06513  
VERS-A



RAL 6018  
Cod. 06508  
VERS-A



RAL 7015  
Cod. 06510  
VERS-A



RAL 7021  
Cod. 06511  
VERS-A